

KHOSHAN ABADGARAN SANAT KAVIR (FORMER MEHREGAN COMPANY)

Established in 1969

Catalogue 2019

KHOSHNAM Industrial Group

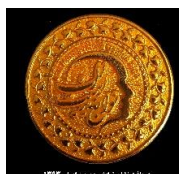
Since 1969



KHOSHNAM ABADGARAN SANAT KAVIR
Technology, Quality, Service, Competitive Price

Rotary Joint

WATER STEAM AIR HYDROLIC HOT OIL



دریافت نشان طلای مدیریت ایران ۱۳۹۳



دریافت نشان طلایی استاندارد بر کیفیت سال ۱۳۹۴



دریافت نشان عالی اهتمام به مدیریت سال ۱۳۹۲



WWW.MEHREGAN70.IR

ALI6642226@GMAIL.COM

+98 21 4762 2226

KHOSHNAM INDUSTRIAL GROUP

Designer and Producer

Introduction of Rotary Joint machine and its application in industry

Catalogue 2019

Rotary Joint, Swivel Joint



WWW.ROTARYJOINT.IR
TEL : +98 21 4762 2226

ALI6642226@GMAIL.COM
FAX: +98 25 3664 1744

Instagram : #rotaryjointkhoshnam



This catalogue is going to introduce the following sections:

- Introduction
- Created devices in khoshnam manufacturer industries
- History of our activities
- Achieved honors in the field of industry
- Introduction of Rotary Joint and it's application in industry
- Dimentions feature of Rotary Joints along with order no.
- Warranty and customer service
- Contact us



Model : RMZ1P
DN 15 ~ 100



Model : RMZ4
DN 80 ~ 100



Model :RMZ1V
DN 32 ~ 100



Model : RMZ3P
DN 15 ~ 25



Model :RMB N Way
2,4,6,8,10,12 Passage
DN 10 ~ 50



Model : RMB & RMB N
DN 10 ~ 80

The first and the only Iranian company who could present an exhibition in Netherlands in the field of Rotary Joint and valve.

The one who got honor certification in valve world fair (international exhibition specialized in valve industry).

Achieved entrepreneurship management statue in the field of design and production of especial Rotary Joints.

Having the honor of getting gold appreciation certificate in Iranian production society due to high rate of customers' satisfaction.

Being the member of inventors association of Iran (invention of Rotary Joint recorded as Arya model number:38542.

Analysis and considering of pressure mechanism, weariness, leap and jump figures of equal sections with FEM standard.

Considering the minimum of diameters and thickness equal to static factors and dynamic by the ANSYS software.

Test of hydrostatic, test of hermetic sealing which is done for all the products.

Registered order number for all our products regarding to further services and delivering extra device as well.



**Khoshnam Abardgaran
Sanat Kavir**

www.rotaryjoint.ir

ROTARY JOINT

E-mail: ali6642226@gmail.com

Head office : 021 47622226

Factory : 025 36642226,7

Sales manager : 09127491490



Introduction

We know our customer as friend, liked them, and we are proud of them .we have tried to spend our income to increase the staffs technical science at different levels than making a deceptive appearance in the society. We based our marketing program on the technical manager's knowledge and experiences and attract the customers by introducing our abilities to them. We know the wages are a norm in business but we first base our trading relations on the quality of our products and this is our identity

Khoshnam Abadgaran Sanat Kavir(Former Mehregan Industrial Parts Co.) first has started its activities since 1969 in the field of producing industrial parts

Since the first of establishment of the factory the managers vision based on industrial alliance and consultation with specialists and experienced managers for solving industrial problems and producing more qualified industrial parts according to this factor this factory started its work as industrial group.

This industrial group after passing 40 years and overcome numerous industrial disasters is matured now and continue to its activities in 5 distinct parts but under the single management with the view of Iranian product , worldwide quality.

Khoshnam Abadgaran Sanat Kavir by having software and hardware equipment's for reverse engineering the industrial facilities, modeling and casting colored metals ,multiple of iron and steel including A216- GRAD WCB, WCC,WC9 , LCC , LCB ,is specialist in designing ,manufacturing and providing the spare parts of the machinery and industrial valves including (piston valve , regulator valve , rotary valve) , rotary joints including (rotary joint , swivel joints). In addition due to having well trained experts in repair unit we are able to repair and reconstruction different kinds of valves such as (Slide valve , Gate valve , Ball valve , Globe valve, Piston valve , Rotary joint , Check valve , Control valve, Regulator valve, Butterfly valve) so we are ready to proudly provide services to industrial companies and relevant industries.

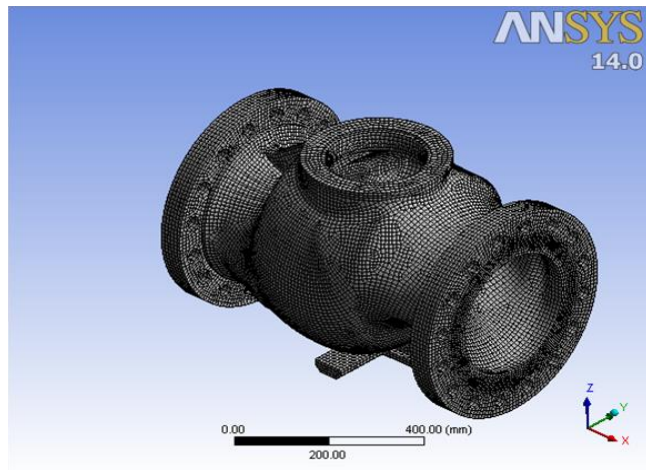
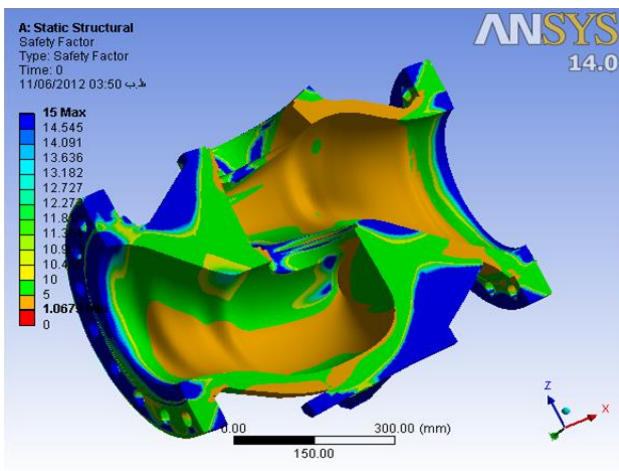
This factory a year after participating in the international exhibitions of valve world 2004(Specialized Exhibition of Industrial valves located in the city of Maastricht, Netherlands) received the certificate ISO 9001: 2000 and IQ.NET and again in 2006 took part in valve world exhibition and has achieved good results from it.

Khoshnam Industrial Group is now one of the best designers and manufacturers of spare parts of rubber industry machinery & rotary joints & swivel joint & rotary valve machine in IRAN. We tried to achieve this position by having a systematic plan, proper implementation of organizational goals, spending exorbitant expenses and patient.

Different sectors of Khoshnam Abadgaran Sanat Kavir. are as follow:

1. Designing and development unit
2. Modeling unit
3. Casting unit
4. Machining unit
5. Quality control unit

DESIGNING AND DEVELOPMENT UNIT



The purpose of establishment of this executive unit was involving the innovative ideas of the creative managers to design best pieces after the order

Designing unit is equipped with the necessary hardware and software for design, analysis, and mapping industrial mechanisms, including (CATIA, Solid work, Ansys and is Mechanical Desktop)

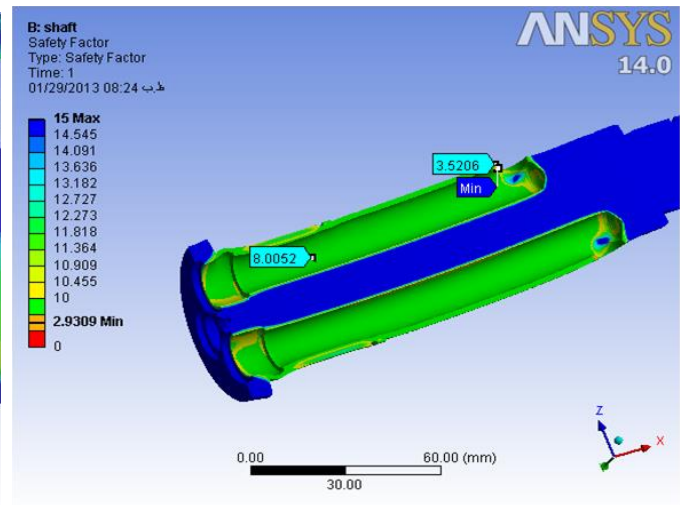
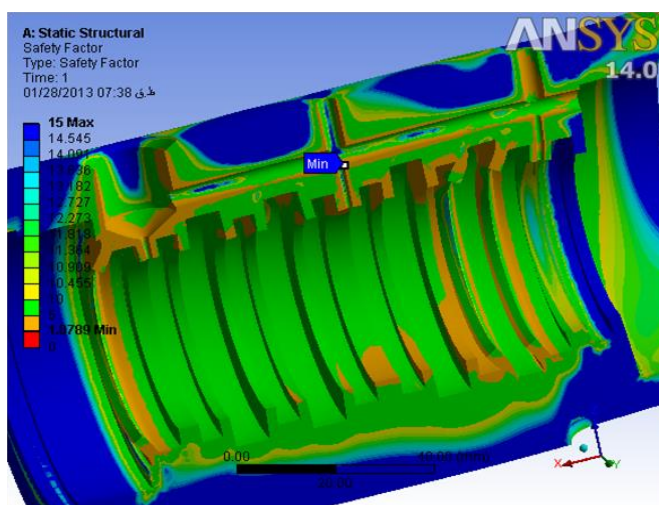
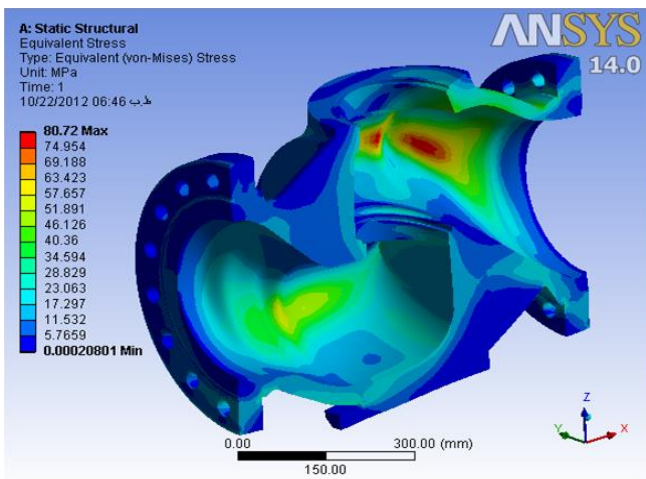
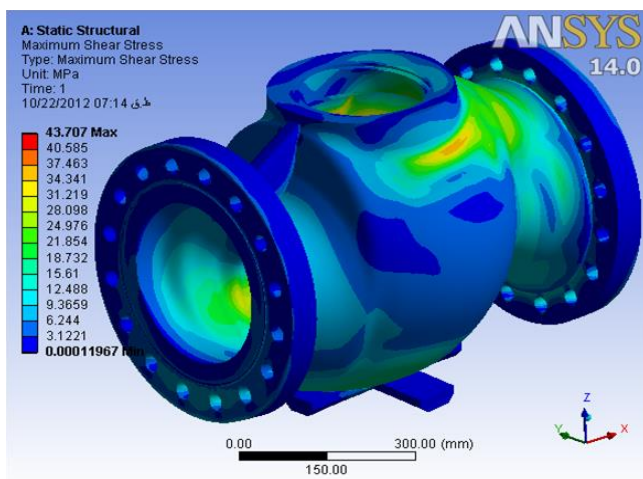
Designing projects are done in 3 below Figures:

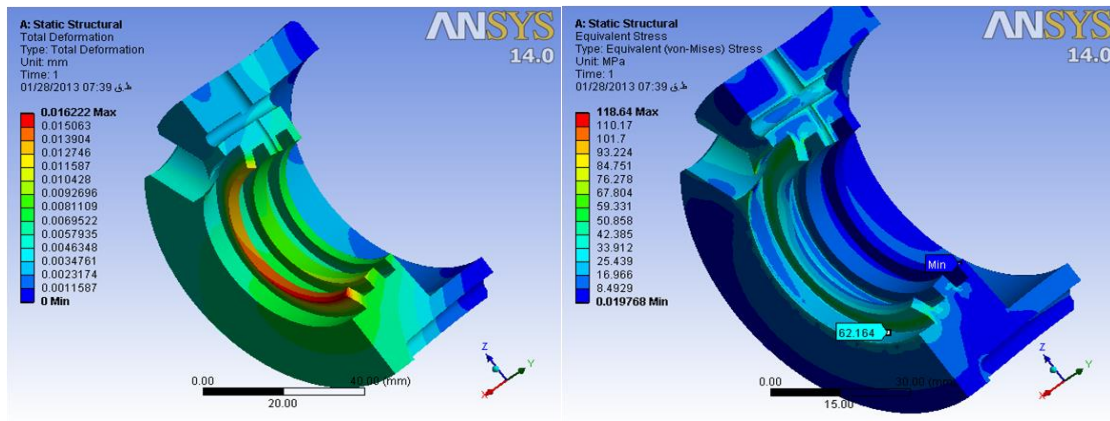
- a) Giving Reverse engineering design services for industrial components and systems (over the past 40 years, more than 1,000 pieces was design through reverse engineering in Khoshnam group)
- b) Giving services related to optimization of pieces and industrial machineries (khoshnam has done more than 300 optimization of components and machineries)

c) Giving services related to the basic design (invention) of components and machineries that industry needs them (4 invention have been done by khoshnam till now, one of them has been registered in the name of ARYA rotary joints. And the document of its registration is reachable in our website, www.rotaryjoint.ir / company introduction / certificates/ patent are visible.)

Mapping unit is the subset of design and development unit. The primary mission of this unit is mapping the components and providing a method for ensuring the quality of manufacture of parts before production.

This unit by using Mechanical Desktop software gives the services related to mapping, pressure analysis and corrosion calculation of different parts of a component and finally prepare the final map for making the component. This company has fully equipped mapping team , and mapping facilities at customer site is provided too and by customers order a copy of the design can be delivered to him according to the terms of mehregan co.





MODELING UNIT

This unit is equipped with modeling wooden and aluminum machineries. Extracted maps from design and development unit was referred to this unit to assemble different parts of a model part by part by special machineries or handmade, the product of this unit is a wooden model or in necessary cases an aluminum model if needed.

CASTING UNIT

This unit is divided to cast steel, stainless steel, cast iron and colored metals Casting sector is apart from the main scope of the factory .stainless steel and steel casting sector is equipped with 500 kg induction furnaces and a laboratory for analysis, Quanto and hardness, etc. and iron cast sector equipped with a rotary furnace and ground furnace with a daily capacity of 7 tons and colored metals casting with the capacity of 2 tons.

MACHINING UNIT

List of Available machines in mehregan factory:

- 3 meter Bulgarian manual Turning machine 1 No
- 5 meter Bulgarian manual Turning machine 1 No
- 2 meter manual Turning machine 6 No
- Planer milling machin 1 No
- CNC milling machin sicze 850*500*500 mm 3 No
- CNC Turning machine size 500*1000L m 4 No
- CNC Turning machine size 850*500L mm 5 No
- Horizontal milling machin 2 No
- Radial drilling arm 160cm drill 2 No
- Radial drilling arm 100cm drill 2 No
- valves test machine 1 No
- Rotary joint test machine 1 No
- welding transformers machine 690 amp and welding R-Gon machine 2 No
- columnar Drill 3 No

CALIBRATION UNIT

The goal of this unit is, control measurement devices and control components during production and post-production. This unit is equipped with measurement tools with the accuracy of 0.001 and all documents relating to the inner calibration will be recorded in the unit. a number of tools related to the calibration which are reference And has a very high accuracy of the CBU project are outsourced.



Advantages of using khas brands rotary joints

- Free consultant on purchasing different kinds of rotary joints
- Ability to design and build Rotary Joint tailored to your work in design and development unit (R & D)
- Removing the casting process in the production RMB model Rotary Joints and the use of original material extruded with the manufacturer analysis.
- Using CNC machines to produce parts
- Using of Germany compacted graphite Holographic Principle (MAX 3000 per minute)
- If the customer orders using silicon carbide (SGL EK20) instead of the original German compacted graphite, with long life and For use at high speeds (MAX 12000 per minute)
- Using high-quality Korean bearings (On request of the customer there is the possibility of installing fire-resistant bearings
- Use of steel spring with a very high lifetime
- Stringent monitoring of individual parts by the quality control unit
- Testing all produced rotary joints before packing
- Body burst pressure test, under the pressure of up to 32bar within 15 minutes(according to STD schedule)
 - No leakage Test under the pressure of 4 bar for 10 minutes (test conditions is changeable according to customer)
 - Rotating Test between 56 to 450 rpm for 10 minutes
 - Used materials hardness test
 - Compacted graphite density test
- Providing report of production process and and final test for all produced rotary joints
- Providing report of production process and and final test for all
- Insert Order Number for All components (for reorder and requests for spare parts)
 - Sending spare parts to the all around of the world (order number is necessary)
- 4000 hours guaranty (under specific conditions guaranty time is expandable)
- 5 years warranty
- Economic savings for the buyer than the other sample
- Buy and delivered in the shortest time anywhere in the world

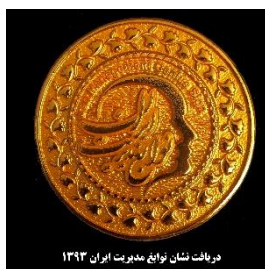
REASONABLE PRICES, HIGH QUALITY, SHORTEST DELIVERY TIME
“KHAS” BRAND ROTARY JOINT CHARACTERIZED BY THIS

Industrial activities history

- Specialized training, installation and maintenance of industrial machines in Italy, Pirelli Company from 1977 to 1979
- Starting pars rubber Co. production line 1981
- Management of repair and maintenance of production line of tier , pars rubber Co. 1986
- Making multi-storey Hydraulic presses with high tonnage, rollers, extruders 1988
- Overhaul, reverse engineering, and producing rotary joints from 1992
- Overhaul, reverse engineering, and producing industrial valves (piston valve, regulator valve, control valve) 1997
- Producing different kinds of bronze bushes and graphite bushes from size 15mm to 1000mm 2004
- Reverse engineering and producing slide valve from 2” to 16” 2006
- Reverse engineering and producing specific high power gearboxes 2007
- Designing and manufacturing of rotary valves up to size 20 inch 2011
- Casting and machining the body of the control valve 3 and 4-inch Class 300 and body of the control valve 3-inch and Class 1500 2012
- Overhaul of control valves 12-inch Class 300 for power plants 2013
- Reverse engineering of control valve 8 and 12 inches for power plants 2014
- Manufacturing Rotary Joint withstand a pressure of 10 bar and a speed of 8000 rpm 2015
- Design and manufacturing Rotary Joint of non-coal model for textile companies 2015
- Design and manufacturing Rotary Joint especially for steel companies 2015

HISTORY AND ACHIEVED HONORS IN THE FIELD OF INDUSTRY

- ✓ Start : 1969 by Mr Abbas Abarghoei
- ✓ Management : Booali Abarghoei
- ✓ Field of activity : Industrial Equipment Manufacturing
- ✓ certificate of Quality Management ISO 9001-2008
- ✓ IQ.NET certificate from IMQ Italy
- ✓ Member of Iranian Inventors
- ✓ member of the Chamber of Commerce of Iran – Italy
- ✓ taking part in specialized exhibition of valves in Netherlands 2004 and 2006
- ✓ Appreciation from the VALVE WORLD fair in Netherlands
- ✓ received a gold plaque Entrepreneur of the Year 2013
- ✓ Quality Association's honorary member



esq www.imq.it

CERTIFICATO N. 9190.MIPC
CERTIFICATE N. 9190.MIPC

SI CERTIFICA CHE IL SISTEMA QUALITA' DI
WE HEREBY CERTIFY THAT THE QUALITY SYSTEM OPERATED BY
MEHREGAN INDUSTRIAL PARTS CO.
AVE NO. 2, KHODAKARAM, EMAM ST. - QOM IRAN

UNITA' OPERATIVE
OPERATIVE UNITS
AVE NO. 2, KHODAKARAM, EMAM ST. - QOM IRAN

E' CONFORME ALLA NORMA
IS IN COMPLIANCE WITH THE STANDARD
ISO 9001:2000

PER LE SEGUENTI ATTIVITA'
FOR THE FOLLOWING ACTIVITIES
Production of piston valve, steam pressure reducing valve (regulator valve), rotary joint and swivel joint

Riferirsi al manuale della qualità per l'applicabilità dei requisiti della norma ISO 9001:2000
Refer to quality manual for details of applications to ISO 9001:2000 requirements

IL PRESENTE CERTIFICATO E' SOGGETTO AL RISPETTO DEL REGOLAMENTO
PER LA CERTIFICAZIONE DEI SISTEMI DI QUALITA' E DI GESTIONE DELLE AZIENDE
THE USE AND THE VALIDITY OF THE CERTIFICATE SHALL SATISFY THE REQUIREMENTS
OF THE RULES FOR THE CERTIFICATION OF COMPANY QUALITY AND MANAGEMENT SYSTEM

PRIMA EMISSIONE
FIRST ISSUE
2006-04-21

EMISSIONE CORRENTE
CURRENT ISSUE

[Signature]
IMQ S.p.A. - VIA QUINTILIANO, 43 - 20138 MILANO ITALY

CISQ è la Federazione Italiana di Organismi di Certificazione dei sistemi di gestione aziendale
CISQ is the Italian Federation of management system Certification Bodies

EA-17

La validità del presente certificato è subordinata a sorveglianza annuale e al rinnovo completo del Sistema di Qualità con periodicità triennale secondo le procedure dell'IMQ
The validity of the certificate is subjected to annual audit and recertification of the entire Quality System every three years according to IMQ rules

FEDERAZIONE CISQ www.cisq.com

CISQ is a member of IQNet
www.iqnet-certification.com

IQNet, the association of the world's first class certification bodies, is the largest provider of management System Certification in the world. IQNet is composed of more than 30 bodies and counts over 150 subsidiaries all over the globe.

IQNet ®

THE INTERNATIONAL CERTIFICATION NETWORK

CERTIFICATE

IQNet and its partner
CISQ/IMQ-CSQ
hereby certify that the organization
MEHREGAN INDUSTRIAL PARTS CO.
AVE NO. 2, KHODAKARAM, EMAM ST. - QOM IRAN

for the following field of activities
Production of piston valve, steam pressure reducing valve (regulator valve), rotary joint and swivel joint
Refer to quality manual for details of applications to ISO 9001:2000 requirements
has implemented and maintains a
Quality Management System
which fulfills the requirements of the following standard
ISO 9001:2000
Issued on: 2006 - 04 - 21

Registration Number: IT - 52068

IQNet ® *[Signature]* **Fabio Roversi**
President of IQNet

CISQ *[Signature]* **Gianrenzo Prati**
President of CISQ

IQNet Partners*:
AENOR Spain AFAQ France AIB - Vinçotte International Belgium ANCE Mexico APCER Portugal CISO Italy COC China CQM China CSQ Czech Republic Cro Cert Croatia DQS Germany DS Denmark ELOT Greece FCAN Brazil FONDNORMA Venezuela HKQAA Hong Kong ICONTEC Colombia IMNC Mexico IRAM Argentina JQA Japan KEMA Netherlands KFQ Korea MSZT Hungary Nemko Certification Norway NSAI Ireland OQS Austria PCBC Poland PSB Certification Singapore QMI Canada RR Russia SAI Global Australia SFS Finland SII Israel SIO Slovenia SQS Switzerland SRAC Romania TEST St Petersburg Russia YUQS Serbia and Montenegro

IQNet is represented in the USA by the Following partners: AFAQ, AIB - Vinçotte International, CISQ, DQS, KEMA, NSAI, QMI and SAI Global
*The list of IQNet partners is valid at the time of issue of this certificate. Updated information is available under www.iqnet-certification.com

CSQ

Certificazione Sistemi Qualità e Sistemi di Gestione delle Aziende

Sede: CSQ
Via Quintiliano, 43
Tel. 02/50731163
Fax 02/50991500
e-mail: csq@imq.it
www.imq.it

CSQ è un sistema di certificazione gestito dall'IMQ in collaborazione con CESI e ISCTI

IMQ S.p.A.
I-20138 Milano
Via Quintiliano, 43
Tel. 02/50731163
Fax 02/50991500
e-mail: info@imq.it
www.imq.it

Rea Milano 1595884
Registro Imprese Milano 12888410159
C.F./P.I. 12888410159
Capitale Sociale € 4.000.000

FSSGCR-60931/06-abFC
2006/05/26

MESSRS
MEHREGAN INDUSTRIAL PARTS
CO.
AVE NO. 2, KHODAKARAM, EMAM
ST.
QOM - IRAN

CSQ File nr.: 12846

Object: ISSUE OF CSQ CERTIFICATE

Dear Sir,

Enclose please find the CSQ certificate for the quality system of your operative unit which has been deemed in conformity with ISO 9001:2000 by the Technical Commission.

Here attached you will find the "IQNet Presentation Certificate" which complements the CSQ certificate.

We remind that on your copy of the CSQ Regulations for the Certification of Firms Quality Systems and related Particular Rules you will find the symbol you can reproduce on your documents, as stated by the Regulations in paragraph 4.1; in case of colour reproduction, the blue tones to be used are those of the CSQ Certificate.

We congratulate with you for the good result and we remain confident that the state of conformity with the above standard will be kept in the future; first surveillance visit will take place within nine months from now and later once year.

Best regards.

IMQ S.p.A.
System Certification Department
CSQ Certification Manager
[Signature] (Dr. Ing. Francesco Colombo)

Encl.: CSQ Certificate
IQNet Presentation Certificate.

Mr. Elio Peletti - Responsible certification sector and CSQ process audit
(Tel. 02/5073469 - Fax 02/50991543)

IMQ CSQ
INSIEME PER LA QUALITA' E LA SICUREZZA

TÜV CERT

TÜV INTERNATIONAL

CERTIFICATE

The Certification body of
TÜV International

hereby certifies that

MEHREGAN INDUSTRIAL PARTS CO .
Qom - Iran

AVE NO.2 - KHODAKARAM,EMAM ST- QOM - IRAN

has attended and passed the
ISO 22301:2012

The scope of this Quality Management System Includes
**PRODUCTION OF ROTARY JOINT , ROTARY VALVE
PISTON VELVE , REGULATOR VALVE , SLIDE VALVE**

Certificate Expiry Date : Feb 1, 2017
Certificate Registration No : 66609525
Effective Date : Feb 1, 2016

[Signature]
Director, Certification Body

IAF

TÜV

www.tuvintl.co.uk

CERTIFICATE BELGESI **ЗЕРТИФИКАТ** **CERTIFICAT** **ЗЕРТИФИКАТ** **CERTIFICADO** **ZERTIFIKAT**

تقدیر نامه شرکت مهرگان در نمایشگاه Valve World 2004

CERTIFICATE OF PARTICIPATION

VALVE WORLD CONFERENCE & EXHIBITION
MAASTRICHT 2004

This is to certify that
Alehregan

HAS TAKEN PART IN
THE VALVE WORLD MAASTRICHT 2004
CONFERENCE & EXHIBITION

on
6 January 2004





باشگاه کیفیت ایران

کواینامه فوق به

گروه صنعتی مهرگان

تقدیر می گردد.

این کواینامه از تاریخ صدور به مدت یکسال معتبر می باشد.



تاریخ صدور: ۹۴/۱۰/۲۰
شماره عضویت: 3096

باشگاه کیفیت ایران

Iran Quality Club

www.nqmc.ir

IRSQ Iranian Society for Quality

انجمن کیفیت ایران

پرومیزی انجام شده و اعلام نظر کارشناسان این انجمن در طرح ملی رتبه بندی کیفیت خدمات و محصولات صلاحیت

گروه صنعتی مهرگان

جهت دریافت کواینامه پنج ستاره کیفیت احراز گردید.

طرح ملی رتبه بندی محصولات و خدمات کیفیت

The Quality of Products & Services Rating Plan



Golden Quality



مدیر خانه اجرایی
طرح ملی رتبه بندی کیفیت

انجمن علمی کیفیت ایران

ROTARY JOINT MODEL: RMB / RMB-N



Rotary Union & Rotary joints

Rotary Union & Rotary joints (also known as rotary swivel, rotary couplings) are precision mechanical devices used to transfer fluid a stationary source, such as a supply pipe, into a rotating piece of machinery. Rotating unions and rotary joints are used in numerous manufacturing processes to cool. Heat, or transfer fluid (pneumatic or hydraulic) power.

Rotary joints and Rotary unions allow the feed through of water, glycol, air, hydraulic, coolant, MQL, hot oil, steam, vacuum and variety of other media. Rotary joints and Rotary unions that can be configured of installation at the end of a shaft or around-the-shaft.

Specifications :

Mon flow & duo flow design –

Self-supported rotating union-

Radial hosing connection –

Balanced mechanical seal –

Pinned rotor seal –

Easy & quick replacement of sealing components –

Ball bearing lubricant for life-

3 vent hole –

Extruded brass hosing –

Stainless steel rotor –

Silicon carbide sealed –

Flow: Steam, hot oil, cold & hoy water (please check model series for select flow)

Max working pressure: 10 bar (working pressure available on request)

Max working temperature: 60 to 160 deg . Centigrade

Size: 3/8 ~ 2/5 inch

Max speed :3/8 ~ 3/4 inch 2000 rpm ,1 ~ 1 ,1/2 inch 1500 rpm,2 ~2/5 inch 1000 rpm

Connection: screw (other connection type are available on request

ROTARY JOINT MODEL: RMB-H



Specifications :

Mon flow & duo flow design –

Self-supported rotating union-

Radial hosing connection –

Balanced mechanical seal –

Pinned rotor seal –

Easy & quick replacement of sealing components –

Ball bearing lubricant for life-

3 vent hole –

Extruded brass hosing –

Stainless steel rotor –

Silicon carbide sealed –

Flow: Steam cold & hot water (please check model series for select flow)

Max working pressure: 10 bar (working pressure available on request)

Max working temperature: 60 to 160 deg . Centigrade

Size: 1 inch

Max speed : 3500 rpm

Connection: screw (other connection type are available on request)

ROTARY JOINT MODEL: RMZ1P-GOLD



Specifications :

Mon flow & duo flow design –

Self-supported rotating union-

Radial hosing connection –

Easy & quick replacement of sealing components –

GGG40 Material hosing –

Stainless steel rotor –

Graphite or Polymer sealed –

Flow: Steam, hot oil, cold & hot water (please check model series for select flow)

Max working pressure: 10 bar (working pressure available on request)

Max working temperature: 60 to 260 deg . Centigrade

Size: 1/2 ~ 1,1/2 inch

Max speed :1/2 ~ 3/4 inch 300 rpm ,1 ~ 1 ,1/2 inch 200 rpm

Connection: screw (other connection type are available on request)

ROTARY JOINT MODEL: RMZ2P-GOLD



Specifications :

Mon flow & duo flow design –

Self-supported rotating union-

Easy & quick replacement of sealing components –

GGG40 Material hosing –

Stainless steel OR Brass rotor –

Graphite or Polymer sealed –

Flow: Steam, hot oil, cold & hot water (please check model series for select flow)

Max working pressure: 10 bar (working pressure available on request)

Max working temperature: 60 to 230 deg . Centigrade

Size: 2 inch

Max speed : 200 rpm

Connection: screw (other connection type are available on request)

ROTARY JOINT MODEL: RMZX12-GOLD



Specifications :

Mon flow & duo flow design –

Self-supported rotating union-

Easy & quick replacement of sealing components –

GGG40 Material hosing –

Stainless steel OR MO40 rotor –

Graphite or Polymer sealed –

Flow: Steam, hot oil, cold & hot water (please check model series for select flow)

Max working pressure: 10 bar (working pressure available on request)

Max working temperature: 185 deg . Centigrade

Size: 3/5 inch

Max speed : 200 rpm

Connection: screw (other connection type are available on request)

ROTARY JOINT MODEL: RMBX4



Specifications :

Mon flow & duo flow design –

Self-supported rotating union-

Easy & quick replacement of sealing components –

GGG40 Material hosing –

Stainless steel OR MO40 rotor –

Graphite or Polymer sealed –

Flow: Steam, hot oil, cold & hot water (please check model series for select flow)

Max working pressure: 10 bar (working pressure available on request)

Max working temperature: 185 deg . Centigrade

Size: 3/5, 4 inch

Max speed: 200 rpm

Connection: FLANGED (other connection type are available on request)

ROTARY JOINT MODEL: RMBX4



Specifications :

Mon flow & duo flow design –

Self-supported rotating union-

Easy & quick replacement of sealing components –

GGG40 Material housing –

Stainless steel OR MO40 rotor –

Graphite or Polymer sealed –

Flow: Steam, hot oil, cold & hot water (please check model series for select flow)

Max working pressure: 10 bar (working pressure available on request)

Max working temperature: 185 deg . Centigrade

Size: 3 inch

Max speed: 200 rpm

Connection: FLANGED (other connection type are available on request)

ROTARY JOINT MODEL: RMZ1V



Specifications :

Mon flow & duo flow design –

Self-supported rotating union-

Easy & quick replacement of sealing components –

GGG40 Material hosing –

Stainless steel OR MO40 rotor –

Graphite or Polymer sealed –

Flow: Steam, hot oil, cold & hot water (please check model series for select flow)

Max working pressure: 10 bar (working pressure available on request)

Max working temperature: 260 deg . Centigrade

Size: 1-2 inch

Max speed: 200 rpm

Connection: FLANGED (other connection type are available on request)

ROTARY JOINT MODEL: RMZX10



Specifications :

- Self-supported rotating union
- Composite bearing
- Vent holes between passages
- Special seals
- Hardened sealing surface
- Aluminum housing
- Steel rotor
- Optional: Tandem model as triple-passage design

Flow: Steam cold & hot water & hot oil (please check model series for select flow)

Max working pressure: 70 bar (working pressure available on request)

Max working temperature: 60 to 160 deg . Centigrade

Size: ¾ , 1 , 1,1/2 inch

Max speed : 180 rpm

Connection: screw (other connection type are available on request)

ROTARY Union MODEL: RMB-2-WAY



: Specifications :

- 2-passage design
- Self-supported rotating union
- Flanged rotor
- Drain passage prevents interpassage leakage
- Special seals
- Hardened sealing surface
- Al7500 housing
- Stainless steel or Mo40 rotor
- More passage available

Max. Temperature: 60 deg. Centigrade (working Temperature available on request)

Flow: AIR (please check model series for select flow)

Max working pressure: 4 bar (working pressure available on request)

Size: 3/8 inch

Max speed : 3000 rpm

ROTARY Union MODEL: RMB- 4 -WAY



Specifications :

- 4-passage design
- Self-supported rotating union
- Flanged rotor
- Drain passage prevents interpassage leakage
- Special seals
- Hardened sealing surface
- Brass housing
- Stainless steel rotor
- Widely spaced ball bearings to withstand side load
- More passage available

A drain port is provided to collect leakage under normal operation. A vent is provided between ports 2 and 3 to allow use with two medias eliminating cross contamination.

Example: Air in 1 & 2 and hydraulic oil in 3 & 4.

Max. Air Pressure: 145psi 10 bar

Max. Hydraulic pressure (rotating): 870psi 60bar

Max. Hydraulic pressure (very slow rotating): 1740psi 120bar

Max. Temperature: 80 deg. Centigrade (working Temperature available on request)

Size: 3/8 ~ 2 inch (other size available on request)

Size: 3/8 inch

Max speed : 180 rpm

ROTARY JOINT MODEL: RMBX3



Specifications :

Mon flow & duo flow design –

Radial hosing connection –

Easy & quick replacement of sealing components –

Ball bearing lubricant for life-

Extruded AL7500 T3 hosing –

ST 304 rotor –

SILICON CARBIDE sealed –

Flow: AIR (please check model series for select flow)

Max working pressure: 50 bar (working pressure available on request)

Max working temperature: 45 deg . Centigrade

Size: M12L , M16 L , 3/8 INCH

Max speed : 3500 rpm

Connection: screw (other connection type are available on request)

ROTARY JOINT MODEL: RMZX5



Specifications :

Mon flow design –

Easy & quick replacement of sealing components –

GGG40 Material housing –

Stainless steel OR MO40 rotor –

Graphite or Polymer sealed –

Flow: Steam, hot oil, cold & hot water (please check model series for select flow)

Max working pressure: 10 bar (working pressure available on request)

Max working temperature: 230 deg . Centigrade

Size: ½ - ¾ - inch

Max speed: 150 rpm

Connection: FLANGED OR SCREW (other connection type are available on request)

ROTARY JOINT MODEL: RMZX6



Specifications :

Mon flow & duo flow design –

Easy & quick replacement of sealing components –

GGG40 Material housing –

Stainless steel OR MO40 rotor –

Graphite or Polymer sealed –

Flow: Steam, hot oil, cold & hot water (please check model series for select flow)

Max working pressure: 10 bar (working pressure available on request)

Max working temperature: 230 deg . Centigrade

Size: 1 inch

Max speed: 150 rpm

Connection: FLANGED OR SCREW (other connection type are available on request)

ROTARY JOINT MODEL: RMZ1P



Rotary joint and its industrial uses:

There are some equipment (for example: Roller in tire industry & steel industry & etc.), that they must roll a hot material. These process will be acceptable only when we keep the temperature of the process fixed. (isothermal process)

In fact, we need facilities and equipment to cool Rotary Rollers to avoid increasing its temperature. Rotary joint is a kind of piping joint that provides possibility of transfer of fluid through the Rotary equipment. In addition, the Rotary Joint receives the warm water (which has absorbed the heat from hot Roller) and sends it to water chilling system.

Specifications :

Mon flow & duo flow design –

Easy & quick replacement of sealing components –

GGG40 Material hosing –

Stainless steel OR MO40 rotor –

Graphite or Polymer sealed –

Flow: Steam, hot oil, cold & hot water (please check model series for select flow)

Max working pressure: 10 bar (working pressure available on request)

Max working temperature: 230 deg . Centigrade

Size: 1- 3 inch

Max speed: 150 rpm

Connection: FLANGED OR SCREW (other connection type are available on request)

ROTARY JOINT MODEL: RMZ1V



Rotary joint and its industrial uses:

There are some equipment (for example: Roller in tire industry & steel industry & etc.), that they must roll a hot material. These processes will be acceptable only when we keep the temperature of the process fixed. (Isothermal process)

In fact, we need facilities and equipment to cool Rotary Rollers to avoid increasing its temperature. Rotary joint is a kind of piping joint that provides possibility of transfer of fluid through the Rotary equipment. In addition, the Rotary Joint receives the warm water (which has absorbed the heat from hot Roller) and sends it to water chilling system.

Specifications :

Mon flow & duo flow design –

Easy & quick replacement of sealing components –

GGG40 Material hosing –

Stainless steel OR MO40 rotor –

Graphite or Polymer sealed –

Flow: Steam, hot oil, cold & hot water (please check model series for select flow)

Max working pressure: 10 bar (working pressure available on request)

Max working temperature: 230 deg . Centigrade

Size: 1,1/4 - 3 inch

Max speed: 150 rpm

Connection: FLANGED OR SCREW (other connection type are available on request)

ROTARY JOINT MODEL: ARYA



Specifications:

Flow: Steam, hot oil, cold & hot water (please check model series for select flow)

Max working pressure: 4 bar (working pressure available on request)

Max working temperature: 300 deg . Centigrade

Max speed: 100 rpm

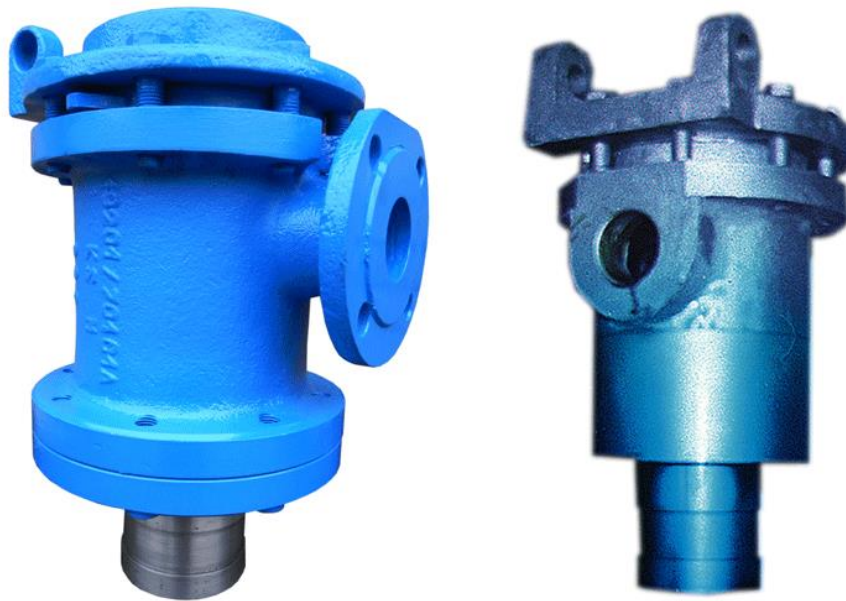
Connection: screw (other connection type are available on request)

Size: 1/2 ~ 2 inch

Advantage of ARYA rotary joint:

- 1- This is only model of rotary joint that is spring has been moved from corrosive environment to none-corrosive, you don't need to use stainless steel spring any more. Spring is located in oil container.
- 2- In this type of rotary joint, against other kind of rotary joint, torque load that causes fracture in spring, has been remove from spring.
- 3- In this model, lubricating system has been design for shaft.
- 4- A container of oil has been designed in this model in order lubricating movement parts that those are in gage with each other.
- 5- In this special way of rotary joint designing, there isn't any bothering stuff like spring string in outlet.

ROTARY JOINT MODEL: RMZ4



Rotary joint and its industrial uses:

There are some equipment (for example: Roller in tire industry & steel industry & etc.), that they must roll a hot material. These processes will be acceptable only when we keep the temperature of the process fixed. (Isothermal process)

In fact, we need facilities and equipment to cool Rotary Rollers to avoid increasing its temperature. Rotary joint is a kind of piping joint that provides possibility of transfer of fluid through the Rotary equipment. In addition, the Rotary Joint receives the warm water (which has absorbed the heat from hot Roller) and sends it to water chilling system.

Specifications:

Flow: Steam, hot oil, cold & hot water (please check model series for select flow)

Max working pressure: 10 bar (working pressure available on request)

Max working temperature: 260 deg. Centigrade

Max speed: 200 rpm

Connection: screw (other connection type are available on request)

Size: 3, 3/5, 4 inch

ROTARY JOINT MODEL: RMB65-80



Specifications :

Mon flow & duo flow design –

Self-supported rotating union-

Radial hosing connection –

Balanced mechanical seal –

Pinned rotor seal –

Easy & quick replacement of sealing components –

3 vent hole –

Extruded brass hosing –

Stainless steel rotor –

Silicon carbide/carbon sealed –

Flow: Steam cold & hot water (please check model series for select flow)

Max working pressure: 10 bar (working pressure available on request)

Max working temperature: 60 to 160 deg . Centigrade

Size: 2/5~3 inch

Max speed : 300 rpm

Connection: flanged / universal

ROTARY JOINT MODEL: RMZ2P



Rotary joint and its industrial uses:

There are some equipment (for example: Roller in tire industry & steel industry & etc.), that they must roll a hot material. These processes will be acceptable only when we keep the temperature of the process fixed. (Isothermal process)

In fact, we need facilities and equipment to cool Rotary Rollers to avoid increasing its temperature. Rotary joint is a kind of piping joint that provides possibility of transfer of fluid through the Rotary equipment. In addition, the Rotary Joint receives the warm water (which has absorbed the heat from hot Roller) and sends it to water chilling system.

Specifications :

Mon flow & duo flow design –

Easy & quick replacement of sealing components –

GGG40 Material hosing –

Stainless steel OR MO40 rotor –

Graphite or Polymer sealed –

Flow: Steam, hot oil, cold & hot water (please check model series for select flow)

Max working pressure: 10 bar (working pressure available on request)

Max working temperature: 230 deg . Centigrade

Size: 1,1/4 - 3 inch

Max speed: 150 rpm

Connection: FLANGED OR SCREW (other connection type are available on request

ROTARY JOINT MODEL: RMZ3P



Operating data:

- mono flow and duo flow design
- in-the-shaft mounted rotating union
- flanged housing or mounted with retaining plates
- high-wear resistant balanced mechanical seal

Silicon Carbide/Silicon Carbide/Carbon

- brass housings and elbows
- stainless steel rotors and supply pipes
- for poor water quality
- long composite bearing
- bearing protected by O-ring
- full-media flow
- Max Temperature : 120c
- Max Pressure : 10 bar
- _ Max Speed : 100 rpm

ROTARY JOINT MODEL: RMBX14



Specifications:

Mon flow & duo flow design –

Self-supported rotating union-

Radial hosing connection –

Balanced mechanical seal –

Pinned rotor seal –

Easy & quick replacement of sealing components –

3 vent hole –

Extruded brass hosing –

Stainless steel/MO40/CK45 rotor –

Silicon carbide/carbon sealed –

Flow: Steam cold & hot water (please check model series for select flow)

Max working pressure: 10 bar (working pressure available on request)

Max working temperature: 60 to 160 deg . Centigrade

Size: 2 inch

Max speed : 700 rpm

Connection: flanged / universal

ROTARY JOINT MODEL: RMBX13



Specifications:

Mon flow & duo flow design –

Self-supported rotating union-

Radial hosing connection –

Balanced mechanical seal –

Pinned rotor seal –

Easy & quick replacement of sealing components –

Ball bearing lubricant for life-

3 vent hole –

Extruded brass hosing –

Stainless steel rotor –

Silicon carbide/carbon sealed –

Flow: Steam cold & hot water (please check model series for select flow)

Max working pressure: 10 bar (working pressure available on request)

Max working temperature: 60 to 160 deg . Centigrade

Size: 3/5 , 4 inch

Max speed : 700 rpm

Connection: flanged / universal

SWIVEL JOINT MODEL: SWX1-TYPE 1



TYPE 1



TYPE 2



TYPE 3



TYPE 4



Specifications:

SIZE: 1" ~ 16 "

MEDIUM: WATER, AIR , VACUME , GAZ

BODY MATERIAL : CAST STEEL , STAINLESS STEEL , ALUMINIUM ,BRONZE

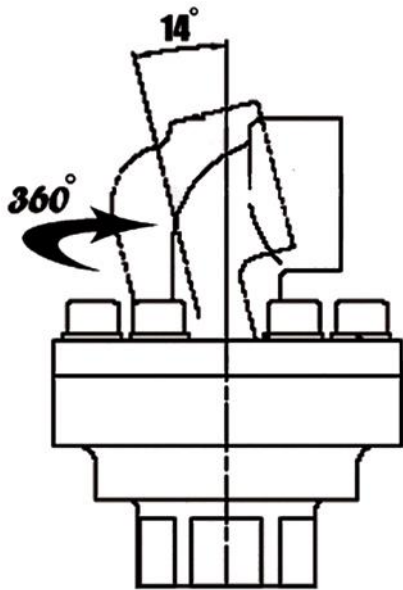
CONNECTION TYPE : MALE THREADED ,FEMALE THREADED,SOCKET , WELD ENDS , FLANGED

MAX TEMPRATUER : 205 C

MAX PRESSURE : 120 BAR

PLEASE SELECT YOOUR TYPE

SWIVEL JOINT MODEL: SWMV



Specifications:

SIZE: 1/2" ~ 2 "

MEDIUM: WATER, AIR , VACUME , GAZ

BODY MATERIAL : CAST STEEL , STAINLESS STEEL , ALUMINIUM ,BRONZE

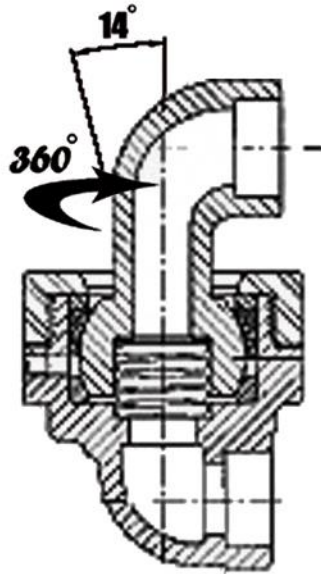
CONNECTION TYPE : FEMALE THREADED

MAX TEMPRATUER : 185 C

MAX PRESSURE : 15 BAR

PLEASE SELECT YOOUR TYPE

SWIVEL JOINT MODEL: SWMP



Specifications:

SIZE: 1/2" ~ 2 "

MEDIUM: WATER, AIR , VACUME , GAZ

BODY MATERIAL : CAST STEEL , STAINLESS STEEL , ALUMINIUM , BRONZE

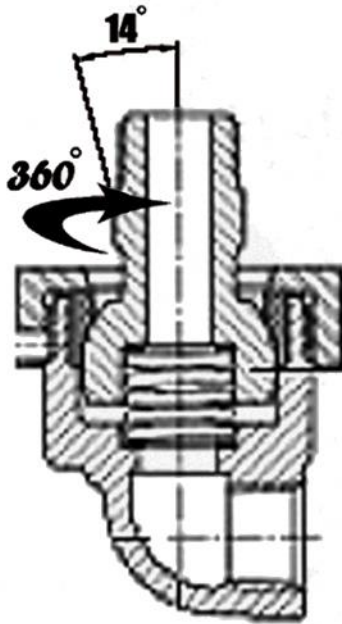
CONNECTION TYPE : FEMALE THREADED

MAX TEMPRATUER : 185 C

MAX PRESSURE : 15 BAR

PLEASE SELECT YOOUR TYPE

SWIVEL JOINT MODEL: SWMV1



Specifications:

SIZE: 1/2" ~ 2 "

MEDIUM: WATER, AIR , VACUME , GAZ

BODY MATERIAL : CAST STEEL , STAINLESS STEEL , ALUMINIUM ,BRONZE

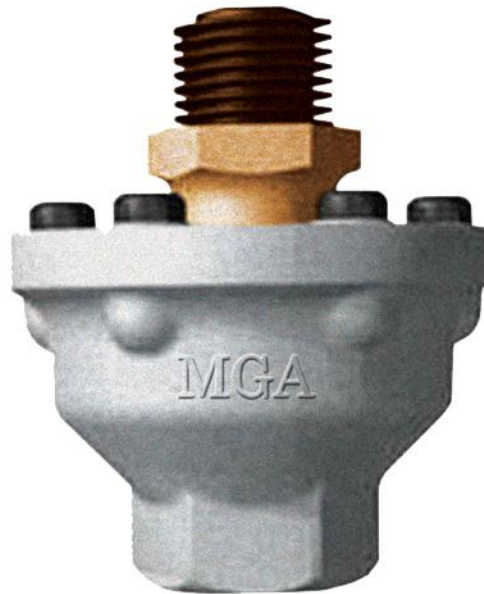
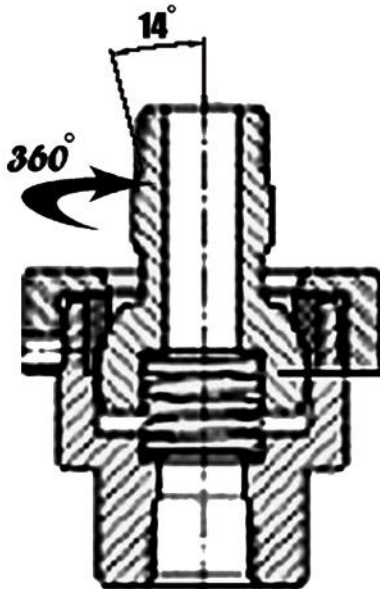
CONNECTION TYPE : FEMALE THREADED

MAX TEMPRATUER : 185 C

MAX PRESSURE : 15 BAR

PLEASE SELECT YOOUR TYPE

SWIVEL JOINT MODEL: SWMH



Specifications:

SIZE: 1/2" ~ 2 "

MEDIUM: WATER, AIR , VACUME , GAZ

BODY MATERIAL : CAST STEEL , STAINLESS STEEL , ALUMINIUM ,BRONZE

CONNECTION TYPE : FEMALE THREADED

MAX TEMPRATUER : 185 C

MAX PRESSURE : 15 BAR

PLEASE SELECT YOOUR TYPE

 **+982147622226** **rotaryjoint** **rotaryjoint.ir** **+9891255133290** **WWW.ROTARYJOINT.IR**

